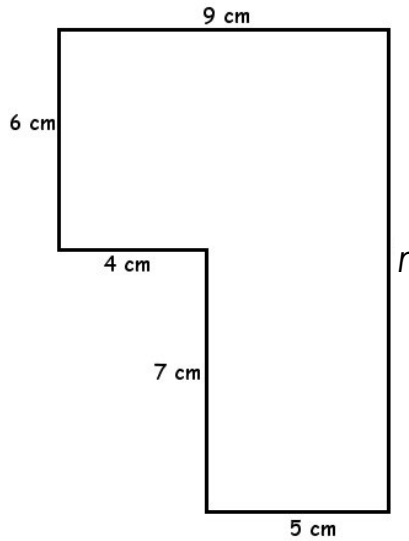


Perimeter

Worksheet 3

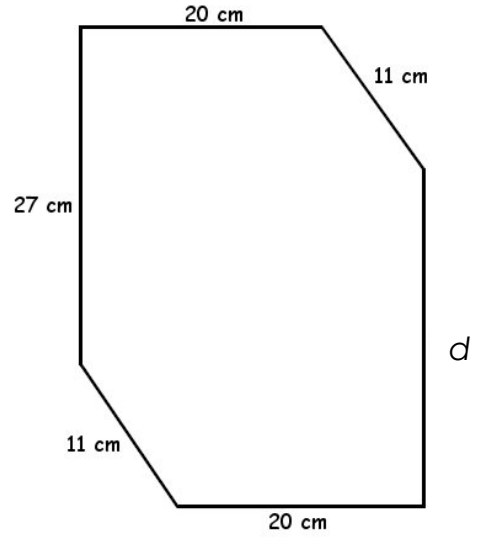
Find the missing value.

1.



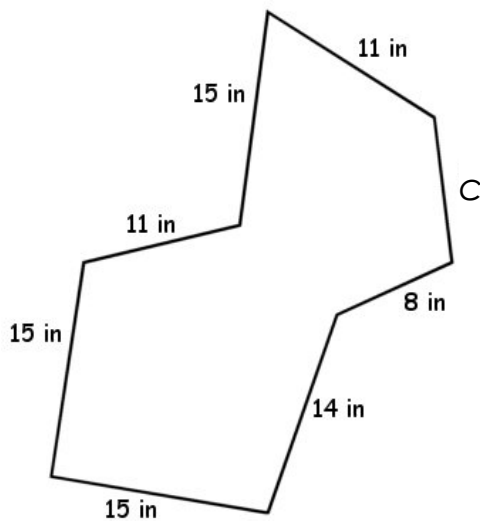
perimeter = 44 cm
 $r = \underline{\hspace{1cm}}$ cm

2.



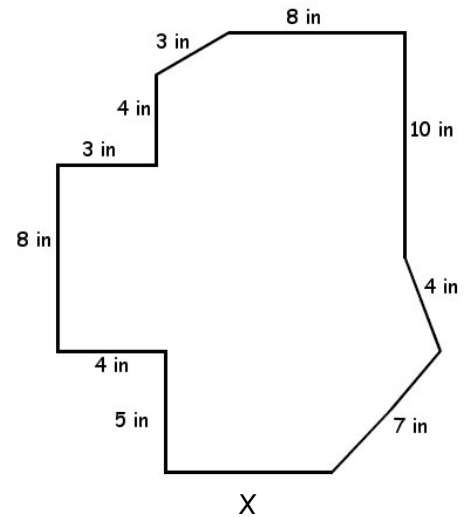
perimeter = 116 cm
 $d = \underline{\hspace{1cm}}$ cm

3.



perimeter = 99 in
 $c = \underline{\hspace{1cm}}$ in

4.



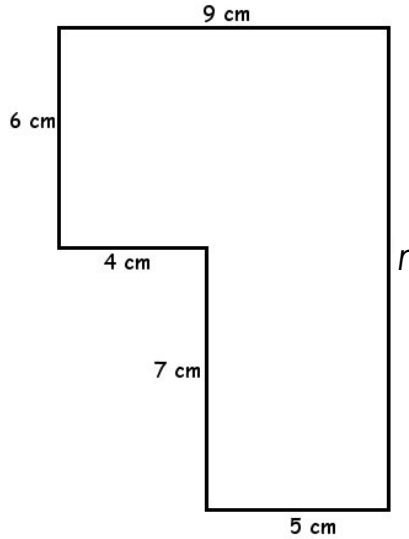
perimeter = 63 in
 $x = \underline{\hspace{1cm}}$ in

Perimeter

Worksheet 3

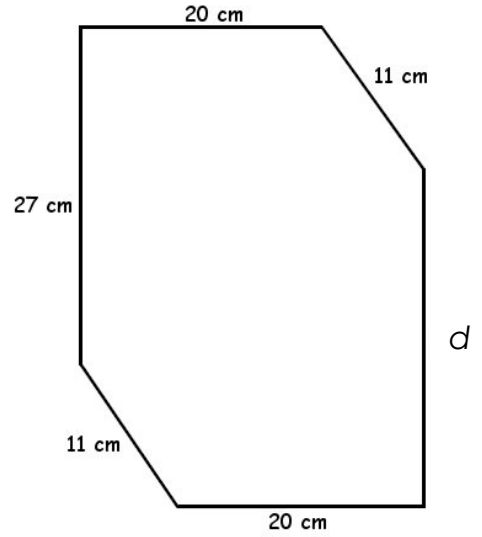
Find the missing value.

1.



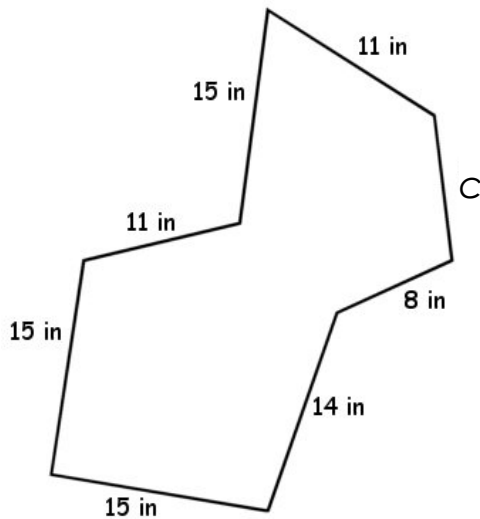
perimeter = 44 cm
 $r = \underline{13}$ cm

2.



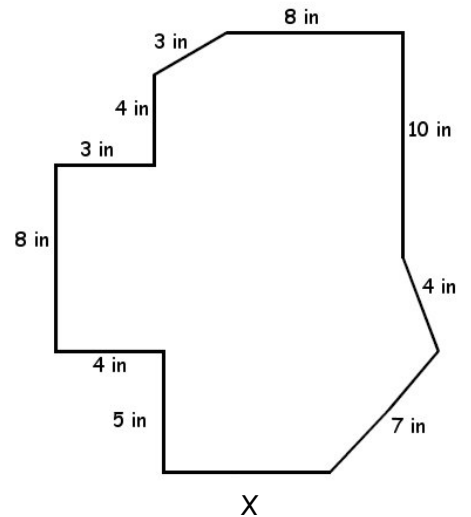
perimeter = 116 cm
 $d = \underline{27}$ cm

3.



perimeter = 99 in
 $c = \underline{10}$ in

4.



perimeter = 63 in
 $x = \underline{7}$ in