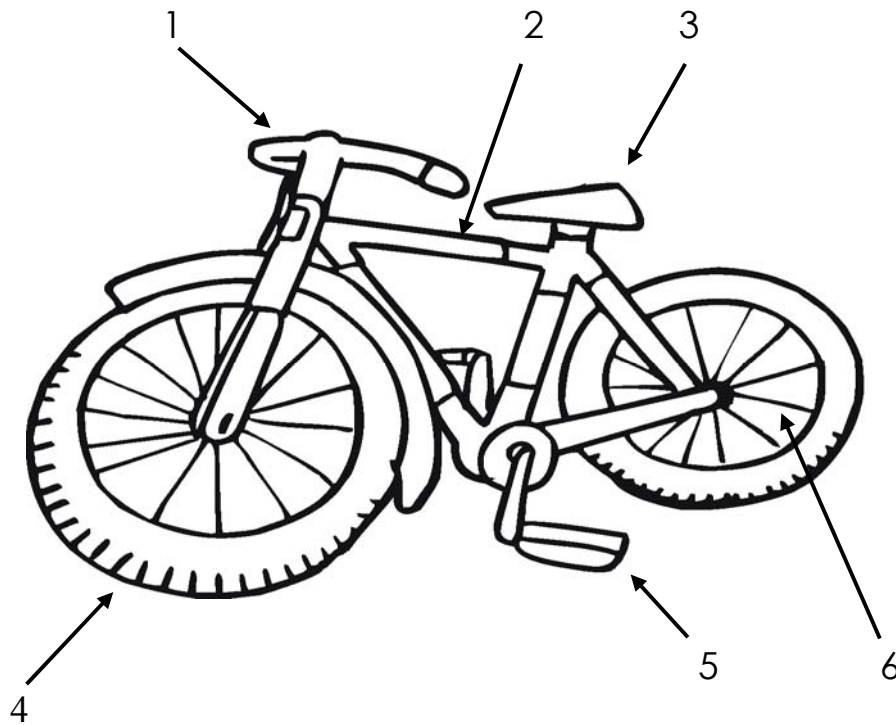


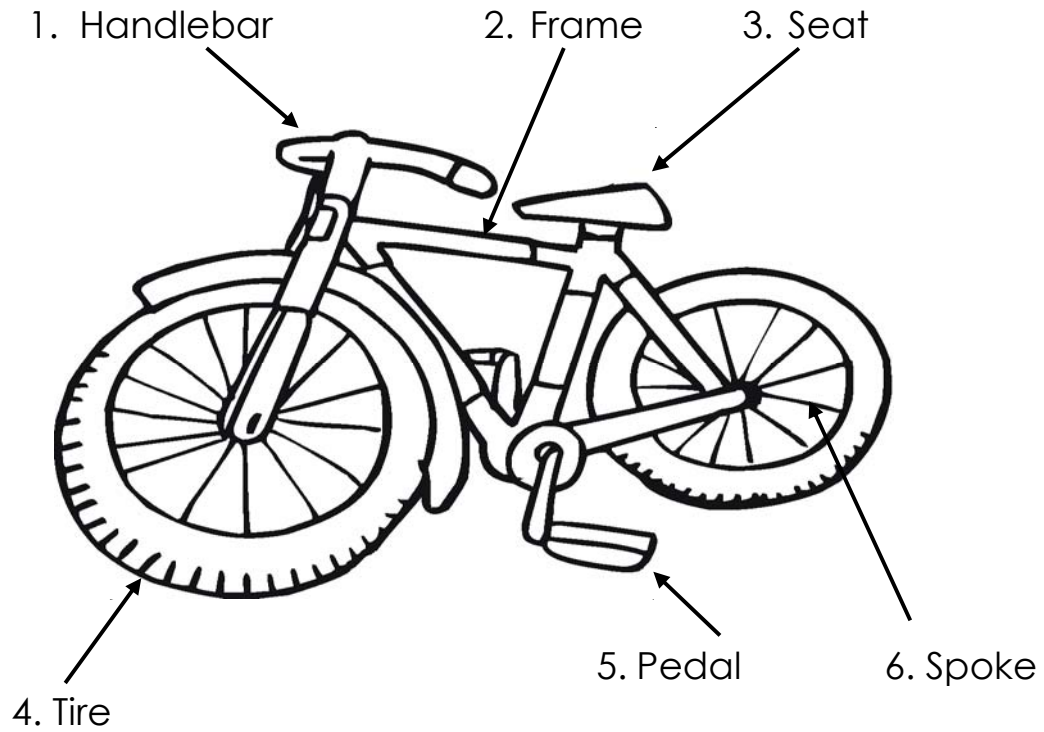
Parts of a Bicycle



Draw a line from the number to the correct part name.

- | | |
|---|-----------|
| 1 | Seat |
| 2 | Spoke |
| 3 | Tire |
| 4 | Pedal |
| 5 | Handlebar |
| 6 | Frame |

Parts of a Bicycle



Draw a line from the number to the correct part name.

